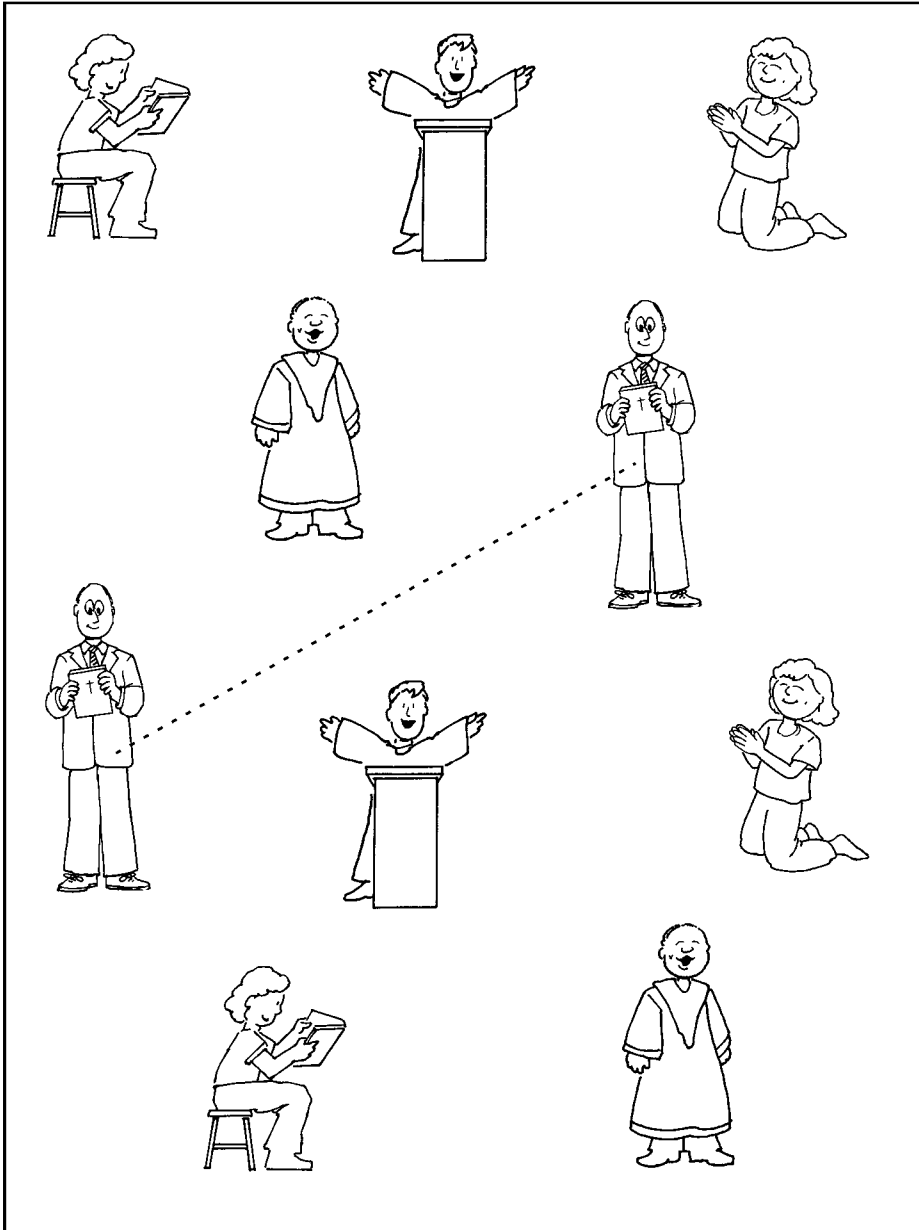


God made Himself known to us in Jesus.

Match the people who are the same.



Ages 3+

1 Corinthians 1:3-9

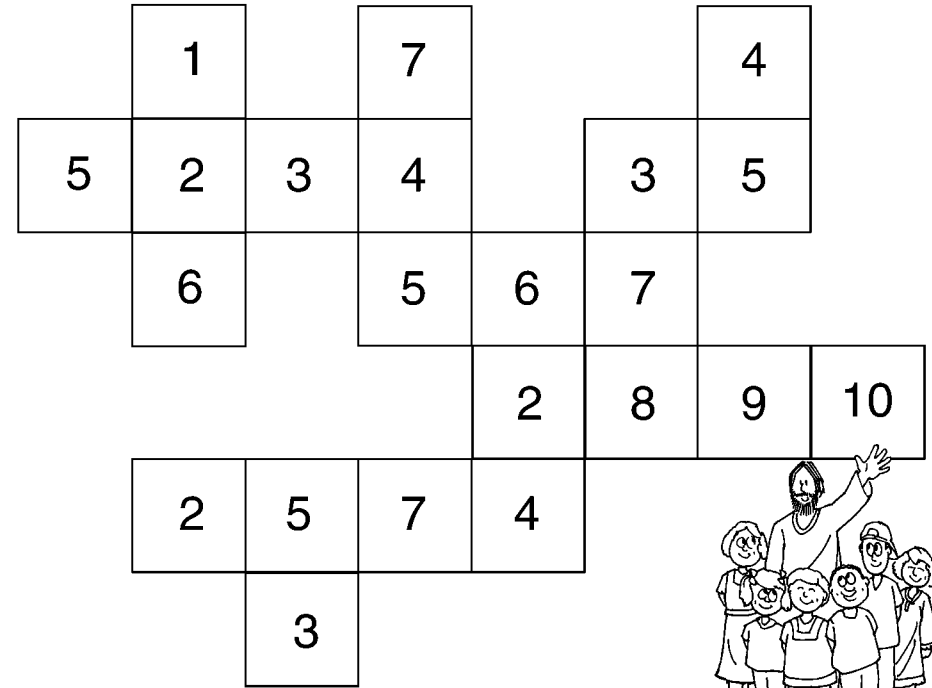
Jesus Keeps You Strong

Be friends with Jesus.



Help the child find her way to Jesus.

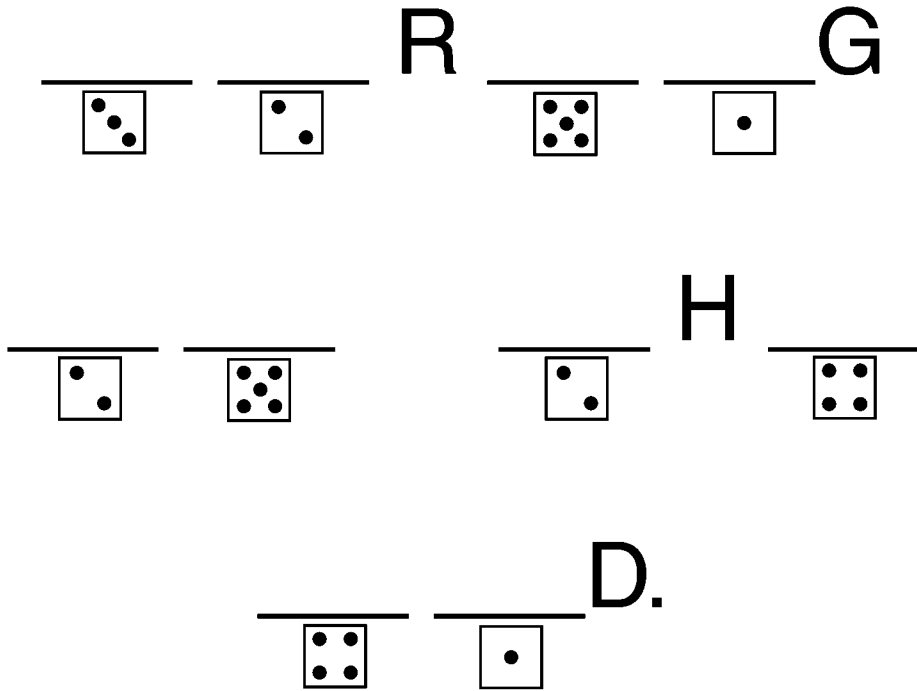
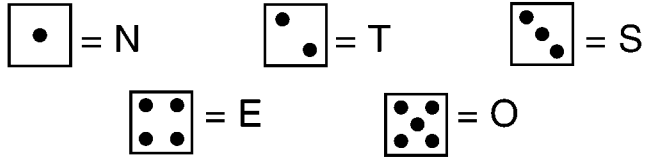
1 2 3 4 5 6 7 8 9 10



RiverOaks
Baptist Church

God will keep you ...

Use the code to fill in the letters.



In Jesus our lives are better in every way.

Circle and find these objects.

